

SUDOKU LEXUS 9Pro / 10Pro



Bass Drum x1



Snare Drum X1



Tom X3



14" Crash x1 & 12" Hihat x2



16" Ride x1

SET DRUM ALL PARTS



Hihat Controller x1



Drum Allen key x2



Drum L Arm x3



Cymbal Arm



Module

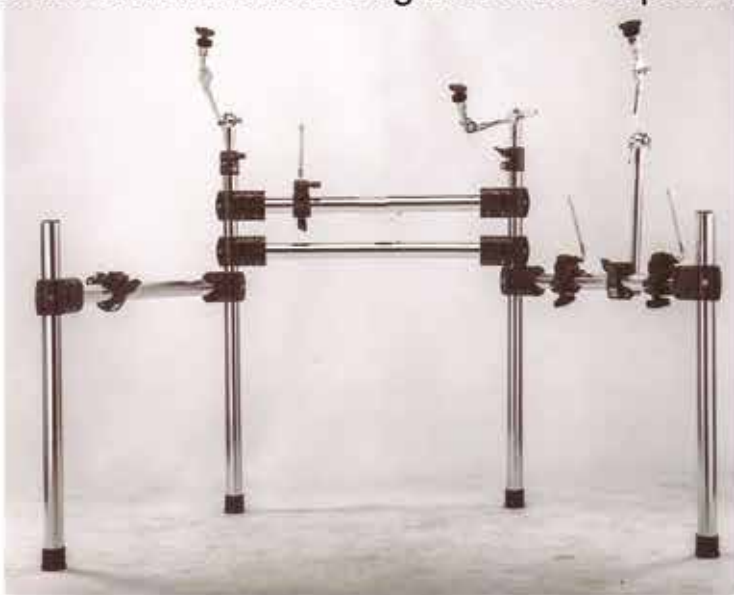


Main tray and hand screw

INSTALLATION GUIDE

1. 5 Drums 4 Cymbals rack placement effect picture (other configuration model will change accordingly)

Note: Before installing the drum and cymbals, be sure to use a hex wrench to tighten all tee clip on upright.



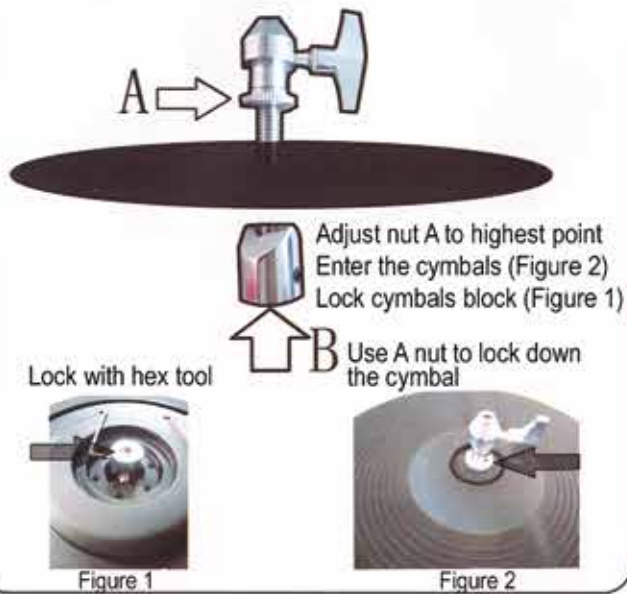
2. Rack Installation Points



After fixing the cymbal rack, use a small hex wrench to adjust the cymbal fixing block so that the inclined surface faces the player.

After installing the cymbal, the cymbal will shake freely with the impact.

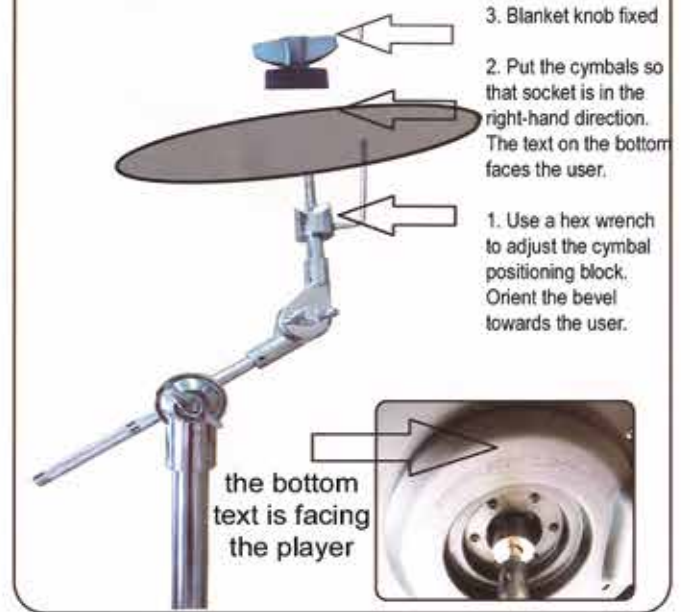
3. Install Hi-hat



4. Install Hi-hat system



5. Install Cymbal



6. Right way to use of snare drum side attack function



7. Right way to choke the Cymbal



8. The assembly is completed and the audio source is connected correctly

